

**PRODUCT OVERVIEW**

The ADS-916 is a high-performance, 14-bit, 500kHz sampling A/D converter. This device samples input signals up to Nyquist frequencies with no missing codes. The ADS-916 features outstanding dynamic performance including a THD of  $-90\text{dB}$ .

Housed in a small 24-pin DDIP or SMT (gull-wing) package, the functionally complete ADS-916 contains a fast-settling sample-hold amplifier, a subranging (two-pass) A/D converter, a precise voltage reference, timing/control logic, and error-

correction circuitry. Digital input and output levels are TTL.

Requiring  $\pm 15\text{V}$  (or  $\pm 12\text{V}$ ) and  $+5\text{V}$  supplies, the ADS-916 dissipates  $1.8\text{W}$  ( $1.6\text{W}$  for  $\pm 12\text{V}$ ) maximum. The unit is offered with a unipolar input ( $0$  to  $+10\text{V}$ ). Models are available for use in either commercial ( $0$  to  $+70^\circ\text{C}$ ), industrial ( $-40$  to  $+100^\circ\text{C}$ ), or HI-REL ( $-55$  to  $+125^\circ\text{C}$ ) operating temperature ranges. Applications include radar, sonar, spectrum analysis, and graphic/medical imaging.

**FEATURES**

- 14-bit resolution
- 500kHz sampling rate
- Functionally complete; No missing codes
- Edge-triggered; No pipeline delays
- Small 24-pin DDIP or SMT package
- Low power, 1.8 Watts maximum
- Operates from  $\pm 15\text{V}$  or  $\pm 12\text{V}$  supplies &  $+5\text{V}$  supply
- Unipolar  $0$  to  $+10\text{V}$  input range (for bipolar  $\pm 5\text{V}$  see ADS-926)

**INPUT/OUTPUT CONNECTIONS**

| PIN | FUNCTION     | PIN | FUNCTION                         |
|-----|--------------|-----|----------------------------------|
| 1   | BIT 14 (LSB) | 24  | $-12\text{V}/-15\text{V}$ SUPPLY |
| 2   | BIT 13       | 23  | ANALOG GROUND                    |
| 3   | BIT 12       | 22  | $+12\text{V}/+15\text{V}$ SUPPLY |
| 4   | BIT 11       | 21  | $+10\text{V}$ REFERENCE OUT      |
| 5   | BIT 10       | 20  | ANALOG INPUT                     |
| 6   | BIT 9        | 19  | ANALOG GROUND                    |
| 7   | BIT 8        | 18  | BIT 1 (MSB)                      |
| 8   | BIT 7        | 17  | BIT 2                            |
| 9   | BIT 6        | 16  | START CONVERT                    |
| 10  | BIT 5        | 15  | $\overline{\text{EOC}}$          |
| 11  | BIT 4        | 14  | DIGITAL GROUND                   |
| 12  | BIT 3        | 13  | $+5\text{V}$ SUPPLY              |

**BLOCK DIAGRAM**

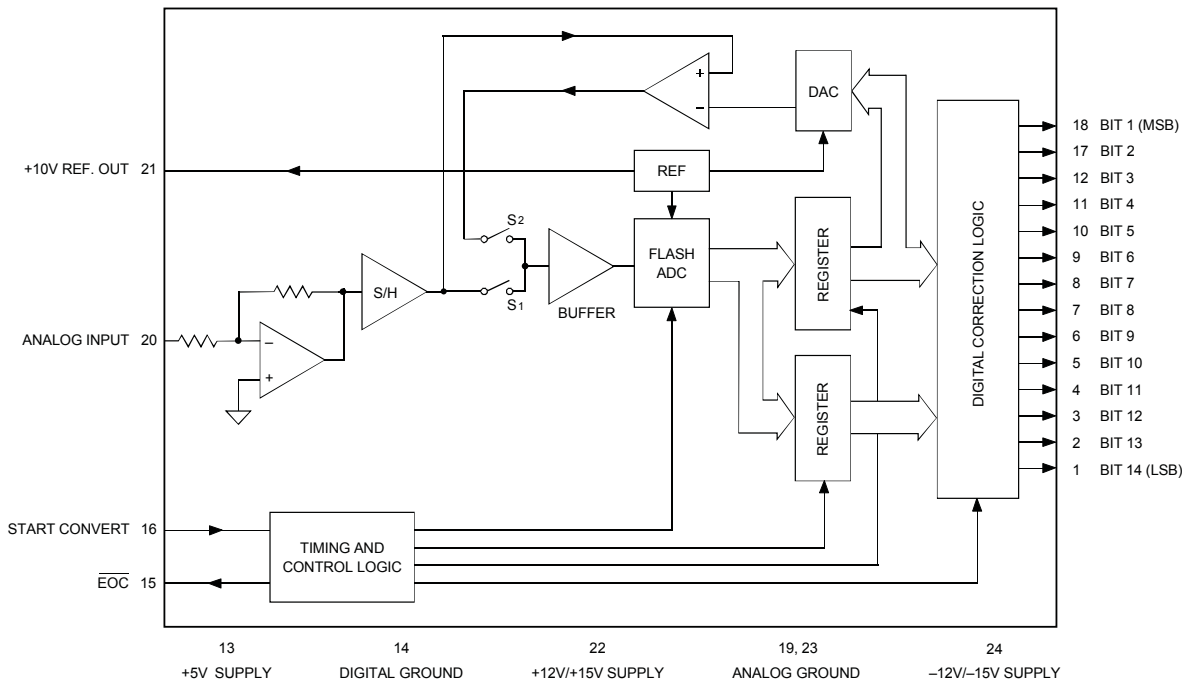


Figure 1. ADS-916 Functional Block Diagram

| ABSOLUTE MAXIMUM RATINGS      |                               |       |
|-------------------------------|-------------------------------|-------|
| PARAMETERS                    | LIMITS                        | UNITS |
| +12V/+15V Supply (Pin 22)     | 0 to +16                      | Volts |
| -12V/-15V Supply (Pin 24)     | 0 to -16                      | Volts |
| +5V Supply (Pin 13)           | 0 to +6                       | Volts |
| Digital Input (Pin 16)        | -0.3 to +V <sub>DD</sub> +0.3 | Volts |
| Analog Input (Pin 20)         | -4 to +17                     | Volts |
| Lead Temperature (10 seconds) | +300                          | °C    |

| PHYSICAL/ENVIRONMENTAL            |   |      |      |         |
|-----------------------------------|---|------|------|---------|
| PARAMETERS                        | MIN.                                      | TYP. | MAX. | UNITS   |
| Operating Temp. Range, Case       |   |      |      |         |
| ADS-916MC, GC, MC-C, GC-C         | 0   | —    | +70  | °C      |
| ADS-916ME, GE, ME-C, GE-C         | -40                                       | —    | +100 | °C      |
| ADS-916MM, GM, MM-C, GM-C         | -55                                       | —    | +125 | °C      |
| ADS-916MM-QL, 883, MM-QL-C, 883-C | -55                                       | —    | +125 | °C      |
| Thermal Impedance                 |   |      |      |         |
| θ <sub>jc</sub>                   | —   | 6    | —    | °C/Watt |
| θ <sub>ca</sub>                   | —   | 24   | —    | °C/Watt |
| Storage Temperature Range         |   |      |      |         |
|                                   | -65                                       | —    | +150 | °C      |
| Package Type                      |   |      |      |         |
|                                   | 24-pin, metal-sealed, ceramic DDIP or SMT |      |      |         |
| Weight                            |   |      |      |         |
|                                   | 0.42 ounces (12 grams)                    |      |      |         |

### FUNCTIONAL SPECIFICATIONS

(T<sub>A</sub> = +25°C, ±V<sub>CC</sub> = ±15V (or ±12V), +V<sub>DD</sub> = +5V, 500kHz sampling rate, and a minimum 1 minute warmup ① unless otherwise specified.)

| ANALOG INPUT   | +25°C |          |       | 0 TO +70°C |          |       | -55 TO +125°C |          |       | UNITS  |
|--|-------|----------|-------|------------|----------|-------|---------------|----------|-------|--------|
|  | MIN.  | TYP.     | MAX.  | MIN.       | TYP.     | MAX.  | MIN.          | TYP.     | MAX.  |        |
| Input Voltage Range ②  | —     | 0 to +10 | —     | —          | 0 to +10 | —     | —             | 0 to +10 | —     | Volts  |
| Input Resistance   | —     | 1        | —     | —          | 1        | —     | —             | 1        | —     | kΩ     |
| Input Capacitance  | —     | 7        | 15    | —          | 7        | 15    | —             | 7        | 15    | pF     |
| <b>DIGITAL INPUT</b>   |       |          |       |            |          |       |               |          |       |        |
| Logic Levels   |       |          |       |            |          |       |               |          |       |        |
| Logic "1"  | +2.0  | —        | —     | +2.0       | —        | —     | +2.0          | —        | —     | Volts  |
| Logic "0"  | —     | —        | +0.8  | —          | —        | +0.8  | —             | —        | +0.8  | Volts  |
| Logic Loading "1"  | —     | —        | +20   | —          | —        | +20   | —             | —        | +20   | μA     |
| Logic Loading "0"  | —     | —        | -20   | —          | —        | -20   | —             | —        | -20   | μA     |
| Start Convert Positive Pulse Width ③   | 50    | 200      | —     | 50         | 200      | —     | 50            | 200      | —     | ns     |
| <b>STATIC PERFORMANCE</b>  |       |          |       |            |          |       |               |          |       |        |
| Resolution   | —     | 14       | —     | —          | 14       | —     | —             | 14       | —     | Bits   |
| Integral Nonlinearity (f <sub>in</sub> = 10kHz)  | —     | ±0.5     | —     | —          | ±0.75    | —     | —             | ±1.5     | —     | LSB    |
| Differential Nonlinearity (f <sub>in</sub> = 10kHz)  | -0.95 | ±0.5     | +0.95 | -0.95      | ±0.5     | +0.95 | -0.95         | ±0.75    | +1.25 | LSB    |
| Full Scale Absolute Accuracy   | —     | ±0.05    | ±0.1  | —          | ±0.1     | ±0.2  | —             | ±0.15    | ±0.4  | %FSR   |
| Unipolar Offset Error (Tech Note 2)  | —     | ±0.1     | ±0.2  | —          | ±0.1     | ±0.2  | —             | ±0.15    | ±0.4  | %FSR   |
| Gain Error (Tech Note 2)   | —     | ±0.1     | ±0.25 | —          | ±0.1     | ±0.25 | —             | ±0.25    | ±0.4  | %      |
| No Missing Codes (f <sub>in</sub> = 10kHz)   | 14    | —        | —     | 14         | —        | —     | 14            | —        | —     | Bits   |
| <b>DYNAMIC PERFORMANCE</b>   |       |          |       |            |          |       |               |          |       |        |
| Peak Harmonics (-0.5dB)  |       |          |       |            |          |       |               |          |       |        |
| dc to 100kHz   | —     | -91      | -86   | —          | -91      | -86   | —             | -90      | -82   | dB     |
| 100kHz to 250kHz   | —     | -84      | -79   | —          | -84      | -79   | —             | -82      | -76   | dB     |
| Total Harmonic Distortion (-0.5dB)   |       |          |       |            |          |       |               |          |       |        |
| dc to 100kHz   | —     | -90      | -85   | —          | -90      | -85   | —             | -87      | -81   | dB     |
| 100kHz to 250kHz   | —     | -82      | -77   | —          | -82      | -77   | —             | -80      | -74   | dB     |
| Signal-to-Noise Ratio (w/o distortion, -0.5dB)   |       |          |       |            |          |       |               |          |       |        |
| dc to 100kHz   | 77    | 81       | —     | 77         | 81       | —     | 76            | 80       | —     | dB     |
| 100kHz to 250kHz   | 75    | 80       | —     | 75         | 80       | —     | 74            | 78       | —     | dB     |
| Signal-to-Noise Ratio ④ (& distortion, -0.5dB)   |       |          |       |            |          |       |               |          |       |        |
| dc to 100kHz   | 77    | 80       | —     | 77         | 80       | —     | 75            | 78       | —     | dB     |
| 100kHz to 250kHz   | 72    | 78       | —     | 72         | 78       | —     | 70            | 76       | —     | dB     |
| Two-tone Intermodulation Distortion (f <sub>in</sub> = 100kHz, 240kHz, f <sub>s</sub> = 500kHz -0.5dB) |       |          |       |            |          |       |               |          |       |        |
|  | —     | -86      | —     | —          | -86      | —     | —             | -86      | —     | dB     |
| Noise  |       |          |       |            |          |       |               |          |       |        |
|  | —     | 310      | —     | —          | 310      | —     | —             | 360      | —     | μVrms  |
| Input Bandwidth (-3dB)   |       |          |       |            |          |       |               |          |       |        |
| Small Signal (-20dB input)   | —     | 7        | —     | —          | 7        | —     | —             | 7        | —     | MHz    |
| Large Signal (-0.5dB input)  | —     | 3        | —     | —          | 3        | —     | —             | 3        | —     | MHz    |
| Feedthrough Rejection (f <sub>in</sub> = 250 kHz)  |       |          |       |            |          |       |               |          |       |        |
|  | —     | 84       | —     | —          | 84       | —     | —             | 84       | —     | dB     |
| Slew Rate  |       |          |       |            |          |       |               |          |       |        |
|  | —     | ±40      | —     | —          | ±40      | —     | —             | ±40      | —     | V/μs   |
| Aperture Delay Time  |       |          |       |            |          |       |               |          |       |        |
|  | —     | ±20      | —     | —          | ±20      | —     | —             | ±20      | —     | ns     |
| Aperture Uncertainty   |       |          |       |            |          |       |               |          |       |        |
|  | —     | 5        | —     | —          | 5        | —     | —             | 5        | —     | ps rms |
| S/H Acquisition Time   |       |          |       |            |          |       |               |          |       |        |
| (to ±0.003%FSR, 10V step)  | 1530  | 1570     | 1610  | 1530       | 1570     | 1610  | 1530          | 1570     | 1610  | ns     |
| Overshoot Recovery Time ⑤  |       |          |       |            |          |       |               |          |       |        |
|  | —     | 1400     | 2000  | —          | 1400     | 2000  | —             | 1400     | 2000  | ns     |
| A/D Conversion Rate  |       |          |       |            |          |       |               |          |       |        |
|  | 500   | —        | —     | 500        | —        | —     | 500           | —        | —     | kHz    |

| ANALOG OUTPUT                                   | +25°C           |       |        | 0 TO +70°C |       |        | -55 TO +125°C |       |        | UNITS   |
|---|-----------------|-------|--------|------------|-------|--------|---------------|-------|--------|---------|
|   | MIN.            | TYP.  | MAX.   | MIN.       | TYP.  | MAX.   | MIN.          | TYP.  | MAX.   |         |
| Internal Reference                              |                 |       |        |            |       |        |               |       |        |         |
| Voltage   | +9.95           | +10.0 | +10.05 | +9.95      | +10.0 | +10.05 | +9.95         | +10.0 | +10.05 | Volts   |
| Drift   | —               | ±5    | —      | —          | ±5    | —      | —             | ±5    | —      | ppm/°C  |
| External Current                                | —               | —     | 1.5    | —          | —     | 1.5    | —             | —     | 1.5    | mA      |
| <b>DIGITAL OUTPUTS</b>                          |                 |       |        |            |       |        |               |       |        |         |
| Logic Levels                                    |                 |       |        |            |       |        |               |       |        |         |
| Logic "1"                                       | +2.4            | —     | —      | +2.4       | —     | —      | +2.4          | —     | —      | Volts   |
| Logic "0"                                       | —               | —     | +0.4   | —          | —     | +0.4   | —             | —     | +0.4   | Volts   |
| Logic Loading "1"                               | —               | —     | -4     | —          | —     | -4     | —             | —     | -4     | mA      |
| Logic Loading "0"                               | —               | —     | +4     | —          | —     | +4     | —             | —     | +4     | mA      |
| Delay, Falling Edge of EOC to Output Data Valid | —               | —     | 35     | —          | —     | 35     | —             | —     | 35     | ns      |
| Output Coding                                   | Straight Binary |       |        |            |       |        |               |       |        |         |
| <b>POWER REQUIREMENTS, ±15V</b>                 |                 |       |        |            |       |        |               |       |        |         |
| Power Supply Ranges                             |                 |       |        |            |       |        |               |       |        |         |
| +15V Supply                                     | +14.5           | +15.0 | +15.5  | +14.5      | +15.0 | +15.5  | +14.5         | +15.0 | +15.5  | Volts   |
| -15V Supply                                     | -14.5           | -15.0 | -15.5  | -14.5      | -15.0 | -15.5  | -14.5         | -15.0 | -15.5  | Volts   |
| +5V Supply                                      | +4.75           | +5.0  | +5.25  | +4.75      | +5.0  | +5.25  | +4.75         | +5.0  | +5.25  | Volts   |
| Power Supply Currents                           |                 |       |        |            |       |        |               |       |        |         |
| +15V Supply                                     | —               | +50   | +70    | —          | +50   | +70    | —             | +50   | +70    | mA      |
| -15V Supply                                     | —               | -40   | -50    | —          | -40   | -50    | —             | -40   | -50    | mA      |
| +5V Supply                                      | —               | +70   | +85    | —          | +70   | +85    | —             | +70   | +85    | mA      |
| Power Dissipation                               | —               | 1.6   | 1.8    | —          | 1.6   | 1.8    | —             | 1.6   | 1.8    | Watts   |
| Power Supply Rejection                          | —               | —     | ±0.01  | —          | —     | ±0.01  | —             | —     | ±0.01  | %FSR/%V |
| <b>POWER REQUIREMENTS, ±12V</b>                 |                 |       |        |            |       |        |               |       |        |         |
| Power Supply Ranges                             |                 |       |        |            |       |        |               |       |        |         |
| +12V Supply                                     | +11.5           | +12.0 | +12.5  | +11.5      | +12.0 | +12.5  | +11.5         | +12.0 | +12.5  | Volts   |
| -12V Supply                                     | -11.5           | -12.0 | -12.5  | -11.5      | -12.0 | -12.5  | -11.5         | -12.0 | -12.5  | Volts   |
| +5V Supply                                      | +4.75           | +5.0  | +5.25  | +4.75      | +5.0  | +5.25  | +4.75         | +5.0  | +5.25  | Volts   |
| Power Supply Currents                           |                 |       |        |            |       |        |               |       |        |         |
| +12V Supply                                     | —               | +50   | +70    | —          | +50   | +70    | —             | +50   | +70    | mA      |
| -12V Supply                                     | —               | -40   | -50    | —          | -40   | -50    | —             | -40   | -50    | mA      |
| +5V Supply                                      | —               | +70   | +80    | —          | +70   | +80    | —             | +70   | +80    | mA      |
| Power Dissipation ±12V                          | —               | 1.4   | 1.6    | —          | 1.4   | 1.6    | —             | 1.4   | 1.6    | Watts   |
| Power Dissipation ±15V                          | —               | 1.6   | 1.9    | —          | 1.6   | 1.9    | —             | 1.6   | 1.9    | Watts   |
| Power Supply Rejection                          | —               | —     | ±0.01  | —          | —     | ±0.01  | —             | —     | ±0.01  | %FSR/%V |

### Footnotes:

- All power supplies must be on before applying a start convert pulse. All supplies and the clock (START CONVERT) must be present during warmup periods. The device must be continuously converting during this time. There is a slight degradation in performance when using ±12V supplies.
- See Ordering Information for availability of ±5V input range. Contact DATEL for availability of other input voltage ranges.
- A 500 kHz clock with a 200ns wide start convert pulse is used for all production testing. Only the rising edge of the start convert pulse is required for the device to operate (edge-triggered). See Timing Diagram for more details.

- Effective bits is equal to:

$$(\text{SNR} + \text{Distortion}) - 1.76 + \frac{\left[ 20 \log \frac{\text{Full Scale Amplitude}}{\text{Actual Input Amplitude}} \right]}{6.02}$$

- This is the time required before the A/D output data is valid once the analog input is back within the specified range.

### TECHNICAL NOTES

- Obtaining fully specified performance from the ADS-916 requires careful attention to pc-card layout and power supply decoupling. The device's analog and digital ground systems are connected to each other internally. For optimal performance, tie all ground pins (14, 19 and 23) directly to a large **analog** ground plane beneath the package.

Bypass all power supplies and the REFERENCE OUTPUT (pin 21) to ground with 4.7µF tantalum capacitors in parallel with 0.1µF ceramic capacitors. Locate the bypass capacitors as close to the unit as possible. If the user-installed offset and gain adjusting circuit shown in Figure 2 is used, also locate it as close to the ADS-916 as possible.

- The ADS-916 achieves its specified accuracies without the need for external calibration. If required, the device's small initial offset and gain errors

can be reduced to zero using the input circuit of Figure 2. When using this circuit, or any similar offset and gain-calibration hardware, make adjustments following warmup. To avoid interaction, always adjust offset before gain.

- When operating the ADS-916 from ±12V supplies, do not drive external circuitry with the REFERENCE OUTPUT. The reference's accuracy and drift specifications may not be met, and loading the circuit may cause accuracy errors within the converter.
- Applying a start convert pulse while a conversion is in progress (EOC = logic "1") initiates a new and inaccurate conversion cycle. Data for the interrupted and subsequent conversions will be invalid.

**CALIBRATION PROCEDURE (Refer to Figures 2 and 3)**

Any offset and/or gain calibration procedures should not be implemented until devices are fully warmed up. To avoid interaction, offset must be adjusted before gain. The ranges of adjustment for the circuit of Figure 2 are guaranteed to compensate for the ADS-916's initial accuracy errors and may not be able to compensate for additional system errors.

All fixed resistors in Figure 2 should be metal-film types, and multiturn potentiometers should have TCR's of 100ppm/°C or less to minimize drift with temperature.

A/D converters are calibrated by positioning their digital outputs exactly on the transition point between two adjacent digital output codes. This can be accomplished by connecting LED's to the digital outputs and adjusting until certain LED's "flicker" equally between on and off. Other approaches employ digital comparators or microcontrollers to detect when the outputs change from one code to the next.

For the ADS-916, offset adjusting is normally accomplished at the point where the output bits are 0's and the LSB just changes from a 0 to a 1. This digital output transition ideally occurs when the applied analog input is  $+1/2$ LSB ( $+305\mu\text{V}$ ).

Gain adjusting is accomplished when all bits are 1's and the LSB just changes from a 1 to a 0. This transition ideally occurs when the analog input is at +full scale minus  $1/2$  LSB's ( $+9.999085\text{V}$ ).

**Zero/Offset Adjust Procedure**

1. Apply a train of pulses to the START CONVERT input (pin 16) so the converter is continuously converting. If using LED's on the outputs, a 200kHz conversion rate will reduce flicker.
2. Apply  $+305\mu\text{V}$  to the ANALOG INPUT (pin 20).
3. Adjust the offset potentiometer until the output bits are all 0's and the LSB flickers between 0 and 1.

**Gain Adjust Procedure**

1. Apply  $+9.999085\text{V}$  to the ANALOG INPUT (pin 20).
2. Adjust the gain potentiometer until the output bits are all 1's and the LSB flickers between 1 and 0.

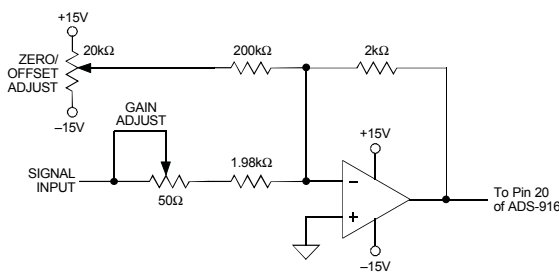


Figure 2. ADS-916 Calibration Circuit

Table 1. Zero and Gain Adjust

| INPUT VOLTAGE RANGE | ZERO ADJUST $+1/2$ LSB | GAIN ADJUST $+FS -1/2$ LSB |
|---------------------|------------------------|----------------------------|
| 0 to $+10\text{V}$  | $+305\mu\text{V}$      | $+9.999085\text{V}$        |

Table 2. Output Coding

| INPUT VOLTAGE (0 TO $+10\text{V}$ ) | UNIPOLAR SCALE     | DIGITAL OUTPUT    |            |
|-------------------------------------|--------------------|-------------------|------------|
|                                     |                    | OFFSET MSB        | BINARY LSB |
| $+9.999390$                         | $+FS -1\text{LSB}$ | 11 1111 1111 1111 |            |
| $+7.500000$                         | $+3/4 FS$          | 11 0000 0000 0000 |            |
| $+5.000000$                         | $+1/2 FS$          | 10 0000 0000 0000 |            |
| $+2.500000$                         | $+1/4 FS$          | 01 0000 0000 0000 |            |
| $+0.000610$                         | $+1\text{LSB}$     | 00 0000 0000 0001 |            |
| $0.000000$                          | 0                  | 00 0000 0000 0000 |            |

Coding is straight binary; 1LSB =  $610\mu\text{V}$ .

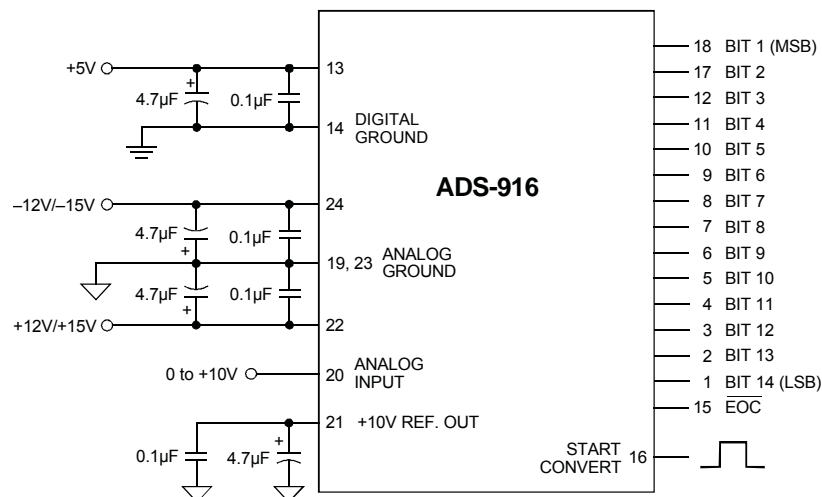


Figure 3. Typical ADS-916 Connection Diagram

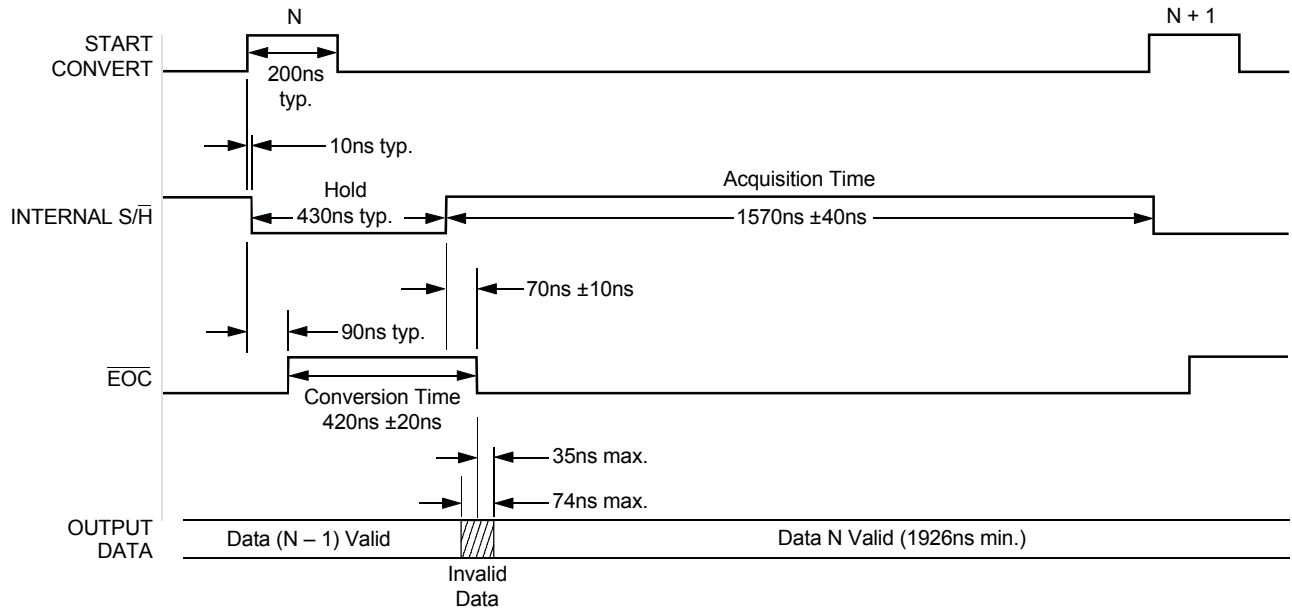
**THERMAL REQUIREMENTS**

All DATEL sampling A/D converters are fully characterized and specified over operating temperature (case) ranges of 0 to +70°C and -55 to +125°C. All room-temperature (TA = +25°C) production testing is performed without the use of heat sinks or forced-air cooling. Thermal impedance figures for each device are listed in their respective specification tables.

These devices do not normally require heat sinks, however, standard precautionary design and layout procedures should be used to ensure devices do not

overheat. The ground and power planes beneath the package, as well as all pcb signal runs to and from the device, should be as heavy as possible to help conduct heat away from the package.

Electrically-insulating, thermally-conductive "pads" may be installed underneath the package. Devices should be soldered to boards rather than "socketed," and of course, minimal air flow over the surface can greatly help reduce the package temperature.



- Notes: 1.  $f_s = 500\text{kHz}$ .
2. The ADS-916 is an edge-triggered device. All internal operations are triggered by the rising edge of the start convert pulse, which may be as narrow as 50nsec. All production testing is performed at a 500kHz sampling rate with 200nsec wide start pulses. For lower sampling rates, wider start pulses may be used, however, a minimum pulse width low of 50nsec must be maintained.

Figure 4. ADS-916 Timing Diagram

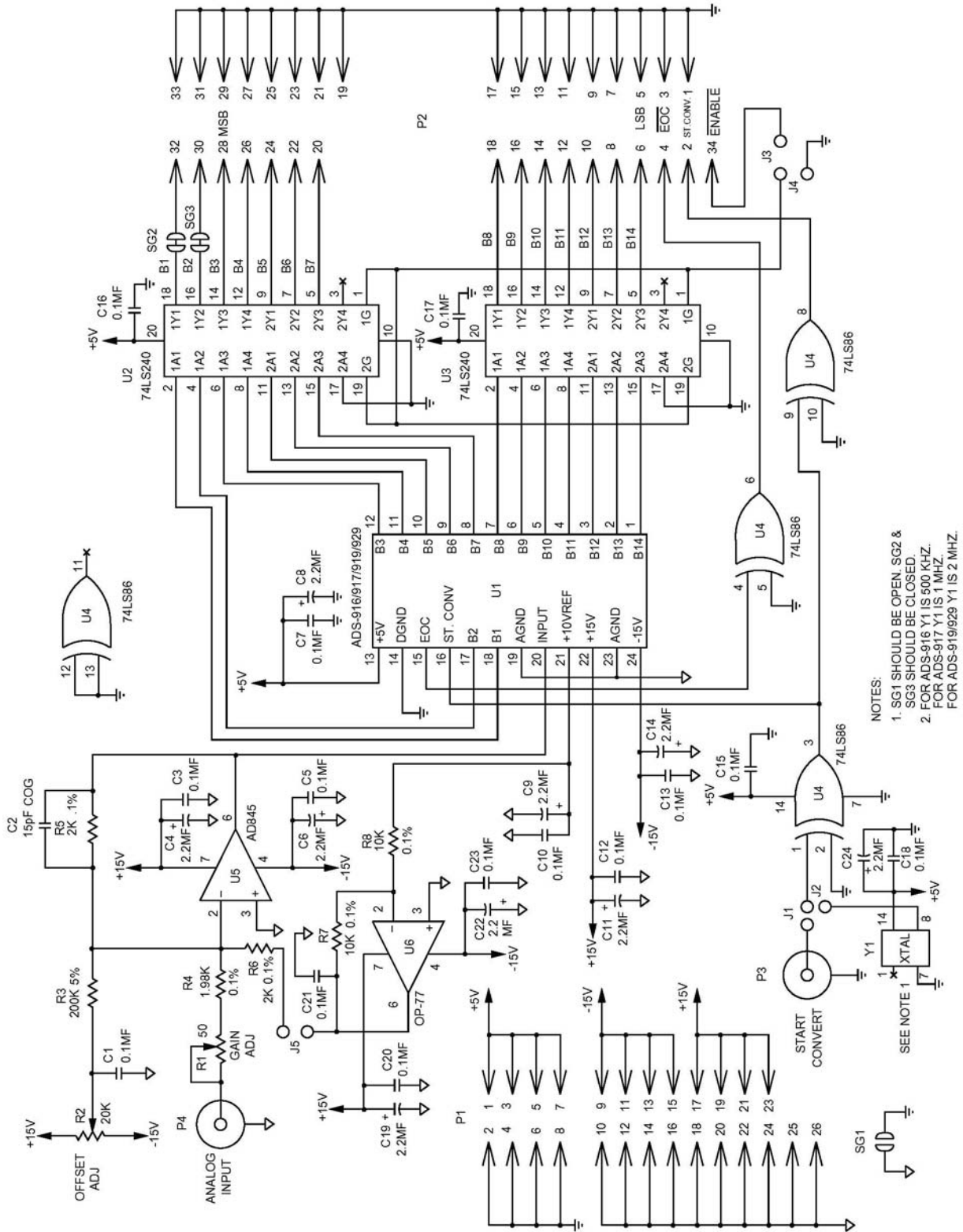


Figure 5. ADS-916 Evaluation Board Schematic

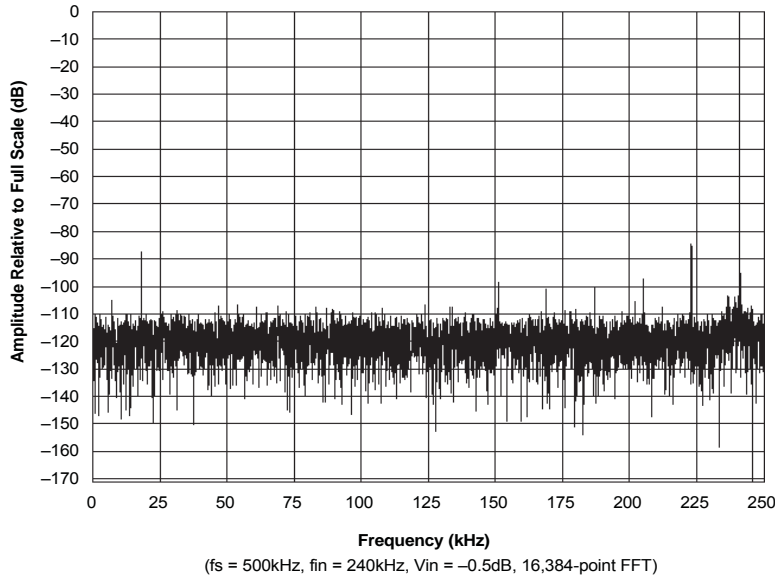


Figure 6. ADS-916 FFT Analysis

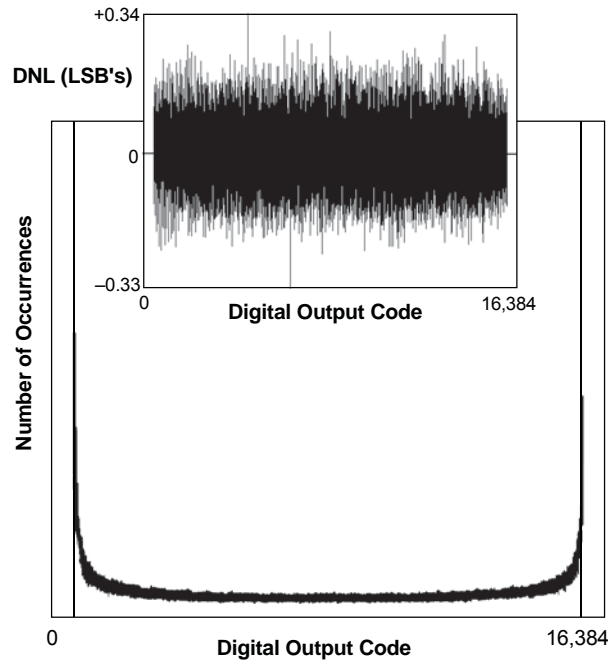
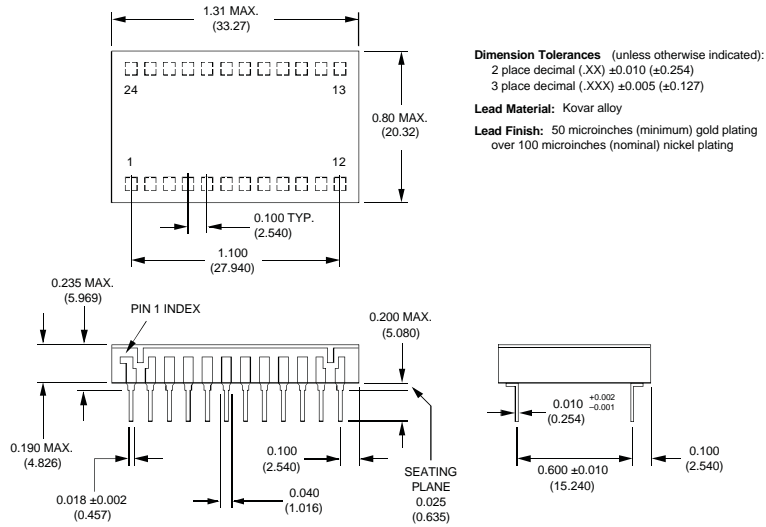


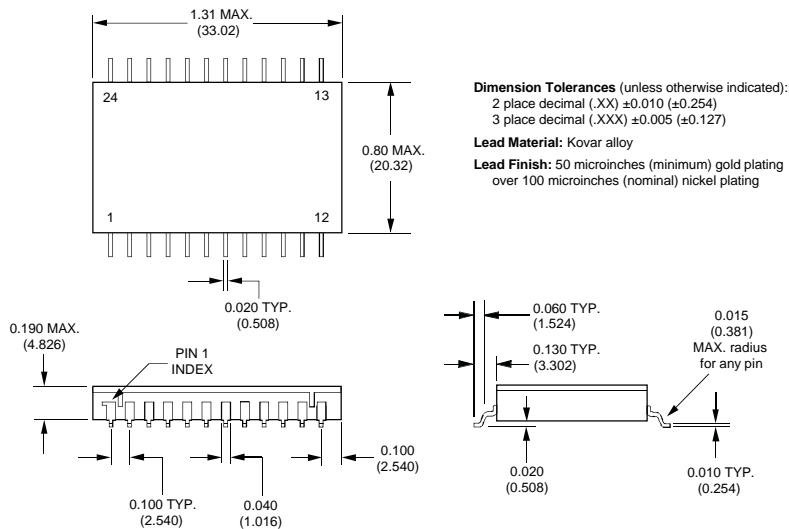
Figure 7. ADS-916 Histogram and Differential Nonlinearity

MECHANICAL DIMENSIONS INCHES (mm)

**24-Pin DDIP Versions**  
**ADS-916MC**  
**ADS-916ME**  
**ADS-916MM**  
**ADS-916MM-QL**  
**ADS-916/883**  
**ADS-916MC-C**  
**ADS-916ME-C**  
**ADS-916MM-C**  
**ADS-916-C/883**



**24-Pin Surface Mount Versions**  
**ADS-916GC**  
**ADS-916GE**  
**ADS-916GM**  
**ADS-916G/883**  
**ADS-916GC-C**  
**ADS-916GE-C**  
**ADS-916GM-C**  
**ADS-916G-C/883**





| ORDERING GUIDE |                             |         |      |
|----------------|-----------------------------|---------|------|
| MODEL NUMBER   | OPERATING TEMPERATURE RANGE | PACKAGE | ROHS |
| ADS-916MC      | 0 to +70°C                  | DDIP    | No   |
| ADS-916MC-C    | 0 to +70°C                  | DDIP    | Yes  |
| ADS-916ME      | -40 to +100°C               | DDIP    | No   |
| ADS-916ME-C    | -40 to +100°C               | DDIP    | Yes  |
| ADS-916MM      | -55 to +125°C               | DDIP    | No   |
| ADS-916MM-C    | -55 to +125°C               | DDIP    | Yes  |
| ADS-916MM-QL   | -55 to +125°C               | DDIP    | No   |
| ADS-916MM-QL-C | -55 to +125°C               | DDIP    | Yes  |
| ADS-916/883    | -55 to +125°C               | DDIP    | No   |
| ADS-916-C/883  | -55 to +125°C               | DDIP    | Yes  |
| ADS-916GC      | 0 to +70°C                  | SMT     | No   |
| ADS-916GC-C    | 0 to +70°C                  | SMT     | Yes  |
| ADS-916GE      | -40 to +100°C               | SMT     | No   |
| ADS-916GE-C    | -40 to +100°C               | SMT     | Yes  |
| ADS-916GM      | -55 to +125°C               | SMT     | No   |
| ADS-916GM-C    | -55 to +125°C               | SMT     | Yes  |
| ADS-916G/883   | -55 to +125°C               | SMT     | No   |
| ADS-916G-C/883 | -55 to +125°C               | SMT     | Yes  |

For bipolar analog input  $\pm 5V$  see ADS-926 data sheet.