

Typical unit

FEATURES

- 35 nSec maximum acquisition time to 0.01%
- 30 nSec maximum hold-mode settling to 0.01%
- 1 pSec aperture uncertainty
- 150 MHz small-signal bandwidth
- 545 mW power dissipation
- Small 14-pin DIP package
- CMOS control signal

PRODUCT OVERVIEW

The SHM-43 sample-hold utilizes a proprietary architecture in delivering an acquisition time of 35 nanoseconds maximum to 0.01% and 20 nanoseconds maximum to 0.1% accuracy.

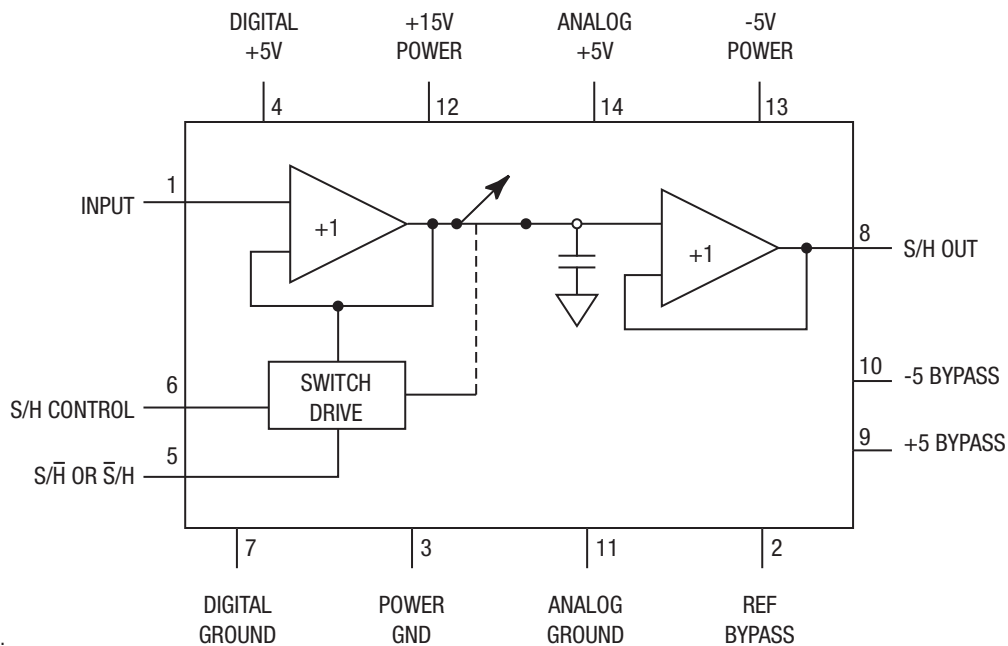
Operation requires +15V and ±5V supplies and the analog input range is ±2V. Packaged in a small 14-pin DIP, the SHM-43 offers a CMOS compatible sample command while dissipating just 545 milliwatts.

The SHM-43 has been designed for applications that demand fast acquisition times (25 nS,

±0.01%), fast hold mode settling (20nS, ±0.01%), wide bandwidth, and the ability to drive resistive (100Ω), and capacitive (50 pF) loads with no compromise in performance. These features make the SHM-43 an ideal choice for driving flash A/D converters in applications such as radar and communications.

Two temperature ranges are offered: the commercial 0 to +70 °C and military -55 to +125 °C.

SIMPLIFIED SCHEMATIC



Typical topology is shown.

Figure 1. Simplified Block Diagram

Functional Specifications

Apply over the operating temperature range, ± 1 Volt input range, 100 Ω load, +15V, ± 5 V nominal supplies, unless otherwise specified.

PARAMETERS	MIN	TYP	MAX	UNITS
Input Voltage Range	-2	—	+2	Volts
Input Impedance	50	160	—	Kohms
Digital Inputs (Digital Supply = +5V)				
Logic Levels				
Logic 1	3.8	—	—	Vdc
Logic 0	—	—	1.35	Vdc
Logic Loading				
Logic 1	—	1	5	μ A
Logic 0	—	1	5	μ A
OUTPUTS				
Voltage Range	± 2	—	—	V
Output Current	50	—	—	mA
Output Impedance (DC)	—	0.1	0.25	Ohms
Stable Capacitive Load	50	—	—	pF
PERFORMANCE				
Nonlinearity, DC (± 1 V)				
+25 °C	—	—	0.01	%
0 to +70 °C	—	—	0.01	%
-55 to +125 °C	—	—	0.02	%
Sample Mode Offset, +25 °C	—	5	± 30	mV
0 to +70 °C	—	± 25	± 35	mV
-55 to +125 °C	—	± 25	± 35	mV
Pedestal, 25 °C	—	± 15	± 30	mV
0 to +70 °C	—	—	± 40	mV
-55 to +125 °C	—	—	± 40	mV
Gain, +25 °C	—	1	—	V/V
Gain Error, +25 °C	—	—	± 2	%
0 to +70 °C	—	—	± 2.25	%
-55 to +125 °C	—	—	± 2.25	%
Aperture Delay, +25 °C	—	5	10	nSec.
0 to +70 °C	—	10	20	nSec.
-55 to +125 °C	—	10	20	nSec.
Aperture Jitter, +25 °C	—	1	3	pS
0 to +70 °C	—	2	6	pS
-55 to +125 °C	—	2	6	pS
Slew Rate	—	190	250	V/ μ Sec.
Full Power BW, ± 1.5 V	20	25	—	MHz
Small Signal Bandwidth	100	50	—	MHz
Harmonic Distortion				
± 1 V, DC to 5 MHz	-70	-74	—	dB
± 1 V, 5 to 10 MHz, +25 °C	-60	-70	—	dB
0 to +70 °C	-50	—	—	dB
-55 to +125 °C	-50	—	—	dB
Acq Time 0.01%, ± 1 V, +25 °C ①	—	25	35	nSec.
0 to +70 °C	—	—	35	nSec.
-55 to +125 °C	—	—	45	nSec.
Acq Time 0.1%, ± 1 V, +25 °C ①	—	15	25	nSec.
0 to +70 °C	—	—	35	nSec.
-55 to +125 °C	—	—	35	nSec.
Hold Mode Settling,				
0.01%, +25 °C	—	20	30	nSec.
0 to +70 °C	—	—	50	nSec.
-55 to +125 °C	—	—	50	nSec.

PERFORMANCE, CONT.	MIN	TYP	MAX	UNITS
Hold Mode Settling,				
0.1%, +25 °C	—	—	20	nSec.
0 to +70 °C	—	—	35	nSec.
-55 to +125 °C	—	—	35	nSec.
Output Noise, Hold Mode	—	50	100	μ V rms
Feedthrough Rejection 2V Step	-76	-80	—	dB
Droop Rate, +25 °C	—	1	5	μ V/ μ S
0 to +70 °C	—	—	50	μ V/ μ S
-55 to +125 °C	—	25	50	μ V/ μ S

POWER SUPPLY REQUIREMENTS

Range	MIN	TYP	MAX	UNITS
Analog +5V	+4.75	+5.0	+5.25	Vdc
Digital +5V	+4.75	+5.0	+5.25	Vdc
-5V	-4.75	-5.0	-5.25	Vdc
+15V	+14.25	+15.0	+15.75	Vdc
Current Usage				
Analog +5V pin 14	—	+38	+45	mA
Digital +5V pin 4	—	+10	+50	mA
-5V pin 13	—	-47	-50	mA
+15V pin 12	—	8	12	mA
Power Dissipation	—	545	655	mW
Power Supply Rejection Ratio	-52	-60	—	dB

ENVIRONMENTAL

Operating Temp. Range				
-MC, ambient	0	—	+70	°C
-MM, case	-55	—	+125	°C
Storage Temp. Range	-65	—	+150	°C
Package Type	14-Pin metal DIP			

① DATEL uses the conservative definition of Acquisition time, which includes the Aperture Delay time.

Absolute Maximum Ratings

PARAMETERS	LIMITS	UNITS
+15V supply (pin 12)	-0.5 to +18	Vdc
+5V supply (pin 4, 14)	-0.5 to +6	Vdc
-5V supply (pin 13)	+0.5 to -7	Vdc
Analog input (pin 1)	+5V Supply +1 -5V Supply -1	Vdc
Digital inputs (pins 5, 6)	-0.5 to +6	Vdc
Lead temperature (10 sec.)	300	°C
Short circuit to ground	70	mA

Output shorted to any supply will cause permanent damage.

TECHNICAL NOTES

- Bypass the ± 5 V analog, +5V digital, +15V supplies with a 1 μ F, 25V tantalum capacitor in parallel with a 0.01 μ F ceramic capacitor mounted as close to the pin as possible.
To achieve optimum performance-
- Additional bypass capacitors are necessary, because of internal high switching speeds, and high slew rates of internal components. REF BYPASS (pin 2), +5 BYPASS (pin 9), and -5 BYPASS (pin 10) are internal connections that must be bypassed with a minimum 1 μ F tantalum capacitor mounted as close to the pin as possible. The polarity of the connections are shown on the test circuit drawing, Figure 2.
- As with all high speed analog circuits, it is essential that good grounding techniques be used. Tie all ground pins together at a single ground point beneath the device, and use a short low impedance run to the ground of the analog power supplies. The ground point should be a solid ground plane under the device and any associated data converter.
- The offset, pedestal, and gain errors of the SHM-43 are laser trimmed at DATEL and no external compensation capabilities have been provided. This prevents introducing noise through the offset adjust terminals of the S/H amplifier and guarantees excellent gain linearity, offset drift, and pedestal performance.

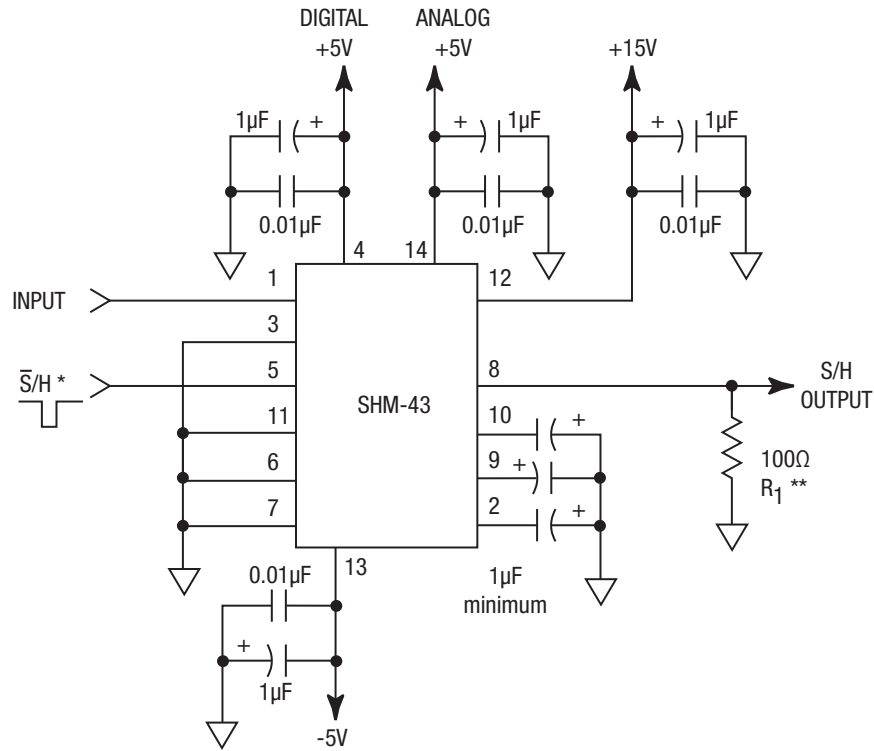


Figure 2. Test Circuit Connections

* Connections shown for $\overline{S/H}$; if opposite polarity sample hold command is desired, connect S/H CONTROL (pin 6) to DIGITAL +5V (pin 4). Using the opposite polarity S/H command will not effect speed or accuracy.

** The SHM-43 MS been optimized for driving 100Ω loads. R1 should be chosen so that the total load on the S/H is 100Ω.

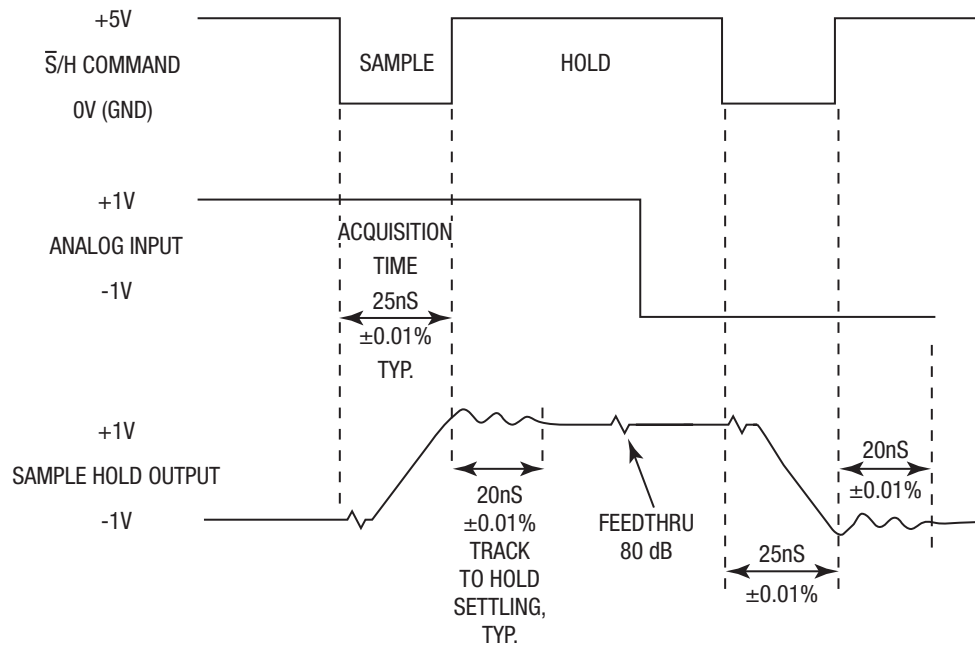


Figure 3. Test Method for Circuit Shown In Figure 2

ORDERING GUIDE SUMMARY		
Model Number	Temperature Range	RoHS
SHM-43MC	0 to +70 °C	No
SHM-43MC-C	0 to +70 °C	Yes*
SHM-43MM	-55 to +125 °C	No

*Does not claim EU RoHS exemption 7b – lead in solder.
Contact DATEL for availability of MIL-STD-883 versions.

MECHANICAL DIMENSIONS

Tolerances unless otherwise specified:
 2 PL DEC ±0.02 3 PL DEC ±0.002
 ±(0.50) ±(0.05)

Dimensions in inches (mm)

The drawing shows the SHM-43 component with the following dimensions:

- Top view: 0.79 (20.01) width, 0.49 (12.45) height.
- Side view: 0.16 (4.06) total height, 0.010 (0.254) lead height, 0.300 (7.62) lead length, 0.010 (0.254) lead diameter.
- Pin 1 Index: 0.025 (0.64) pin height, 0.018 (0.46) pin pitch, 0.040 (1.02) pin width, 0.010 (0.254) pin diameter, 0.20 (5.10) pin spacing.

INPUT/OUTPUT CONNECTIONS			
Pin	Function	Pin	Function
1	Input	8	S/H Out
2	Ref Bypass	9	+5 Bypass
3	Power Gnd	10	-5 Bypass
4	Digital +5V	11	Analog Ground
5	S/H or S/H	12	+15V Power
6	S/H Control	13	-15V Power
7	Digital Ground	14	Analog +5V

DATEL is a registered trademark of DATEL, Inc.
 11 Cabot Boulevard, Mansfield, MA 02048-1151 USA
 ITAR and ISO 9001/14001 REGISTERED

DATEL, Inc. makes no representation that the use of its products in the circuits described herein, or the use of other technical information contained herein, will not infringe upon existing or future patent rights. The descriptions contained herein do not imply the granting of licenses to make, use, or sell equipment constructed in accordance therewith. Specifications are subject to change without notice.

© 2015 DATEL, Inc.